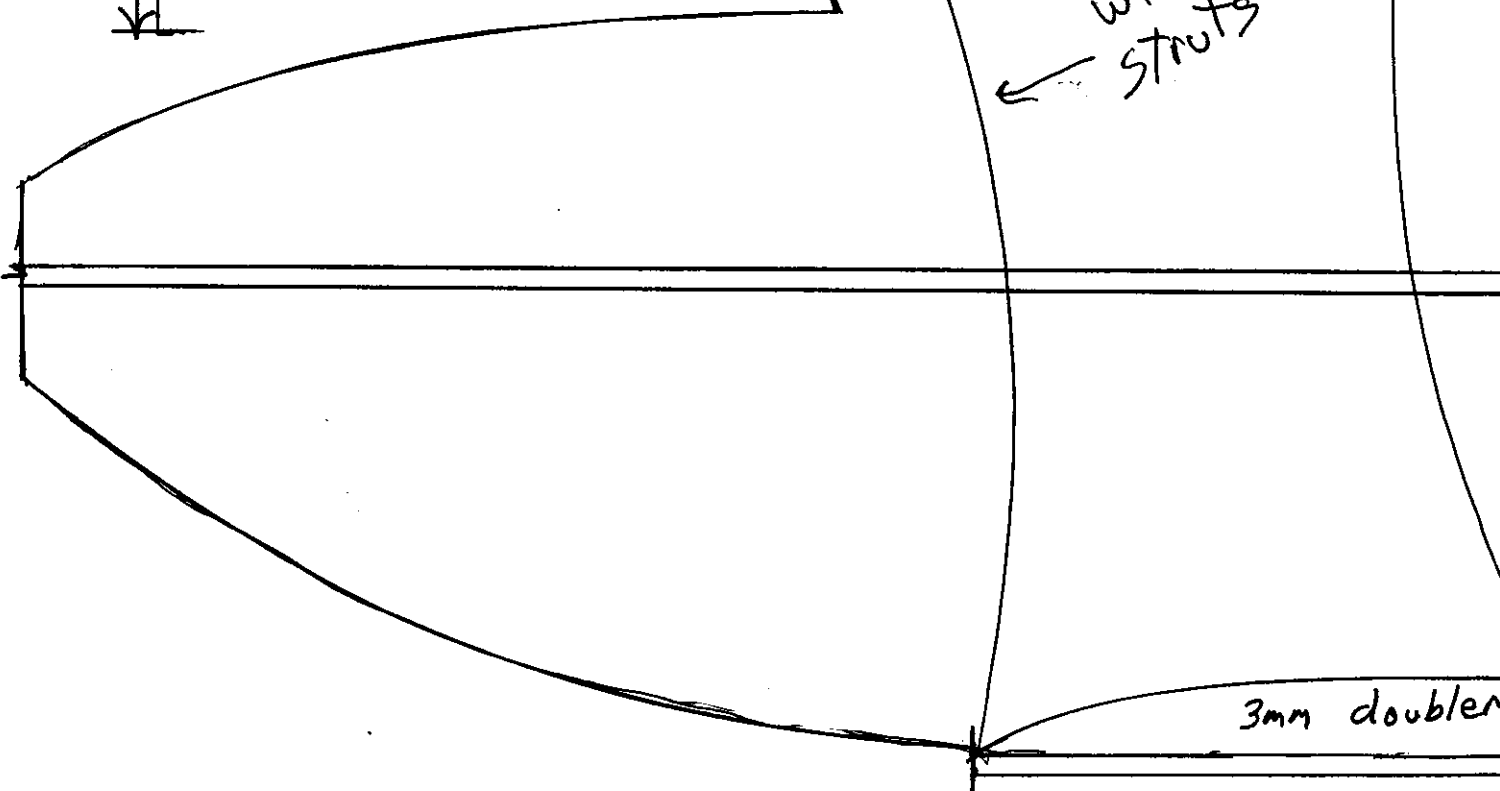


3mm doubled

wing struts

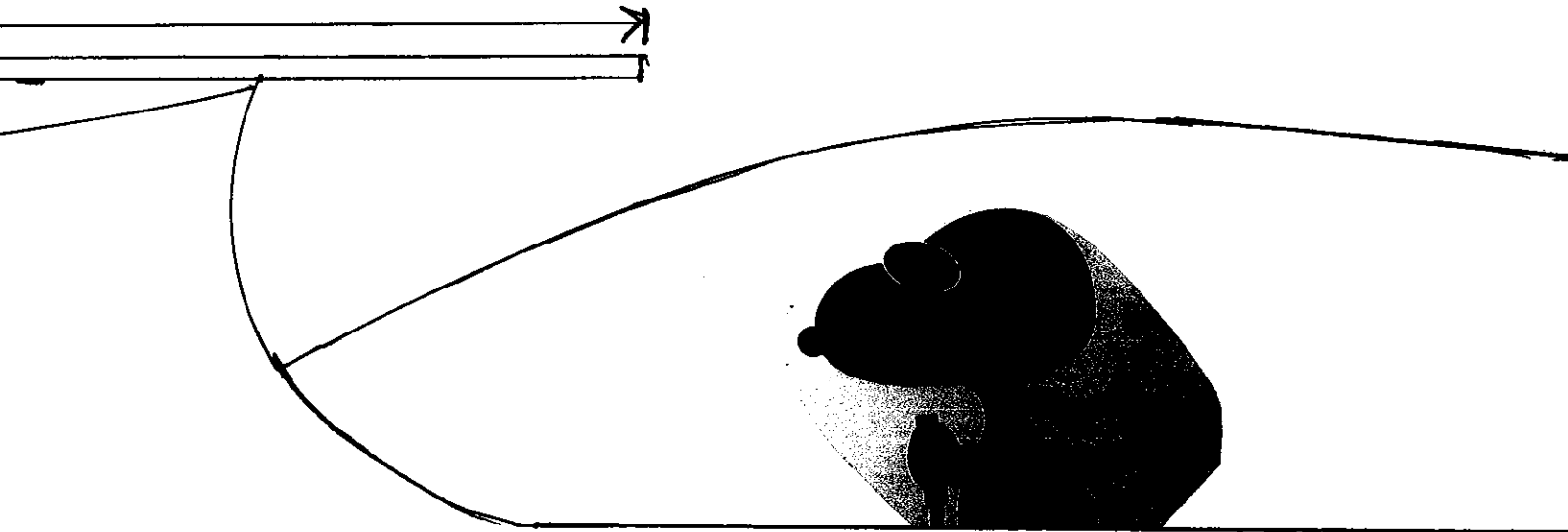
3mm doubled



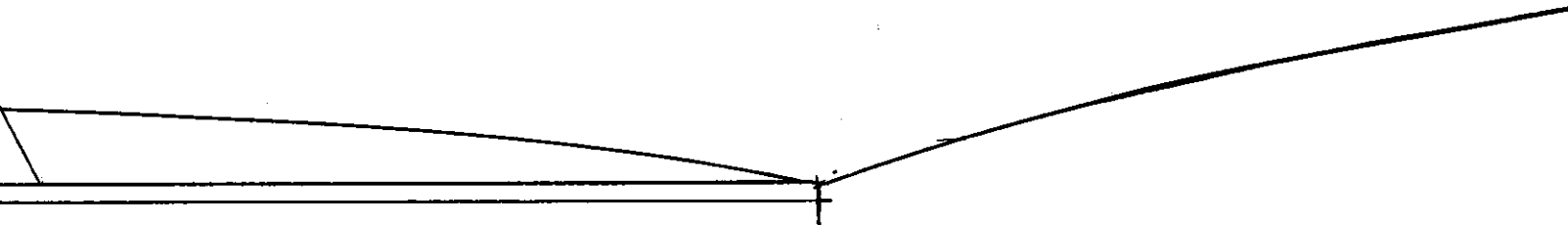
(2)

Snoopylution

Horizontal Fuselage pieces 3mm De
(Glue on center line of Fuse)
each side.

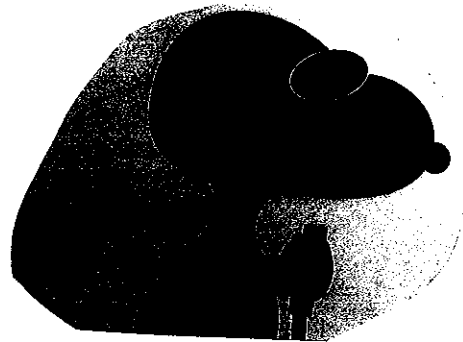


Fuselage stiffener 3mm, cut ed.




3

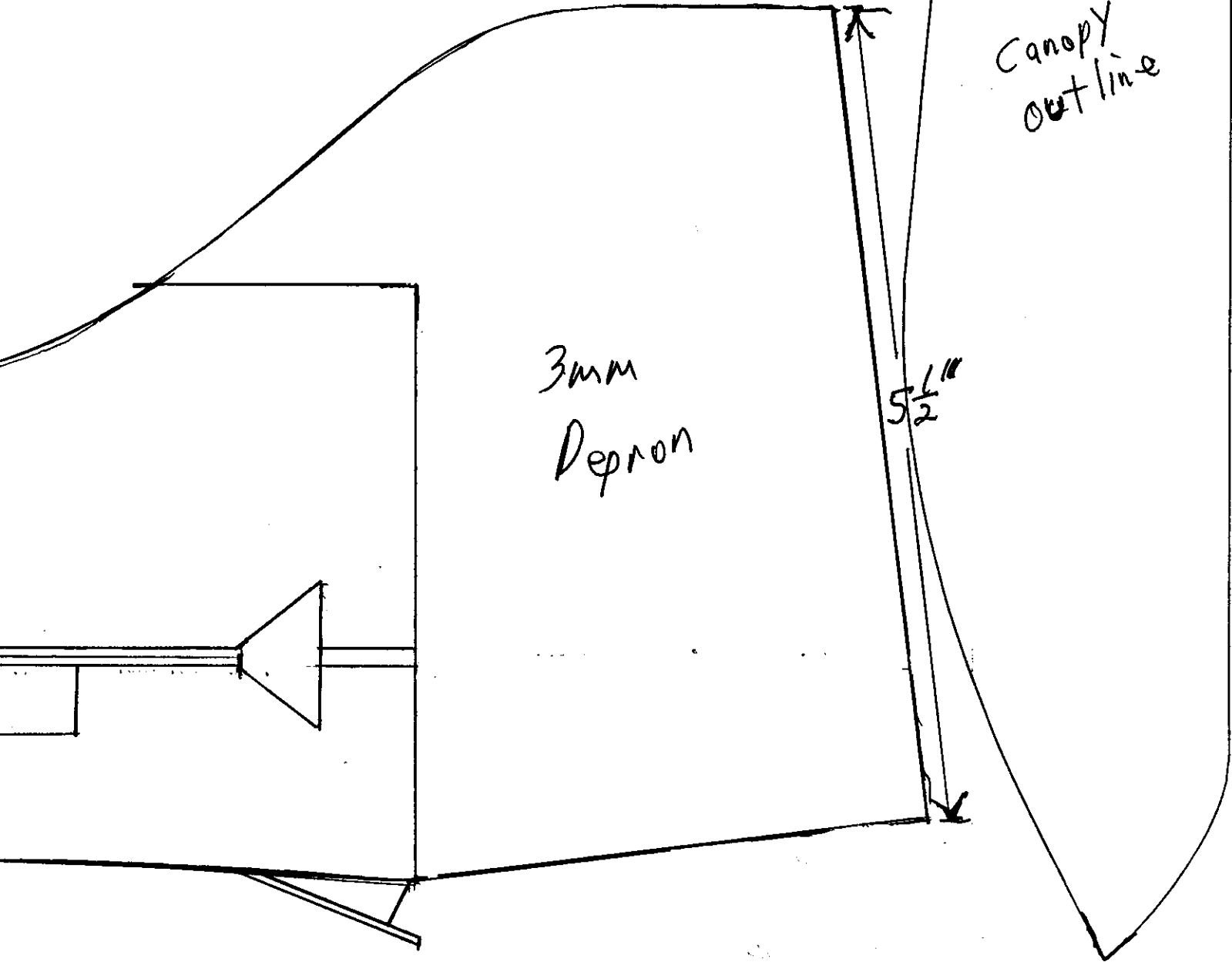
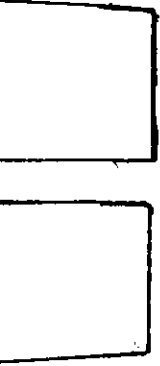
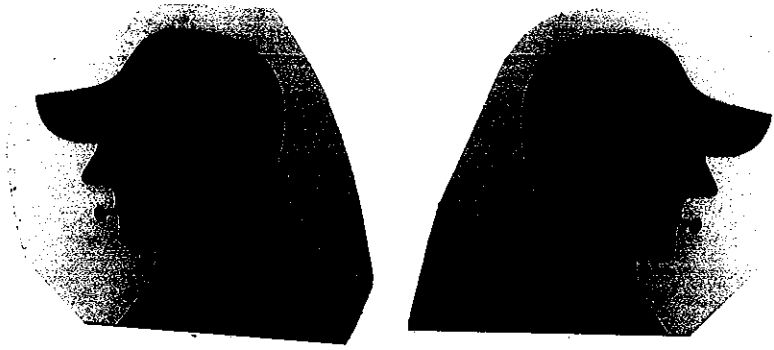
non



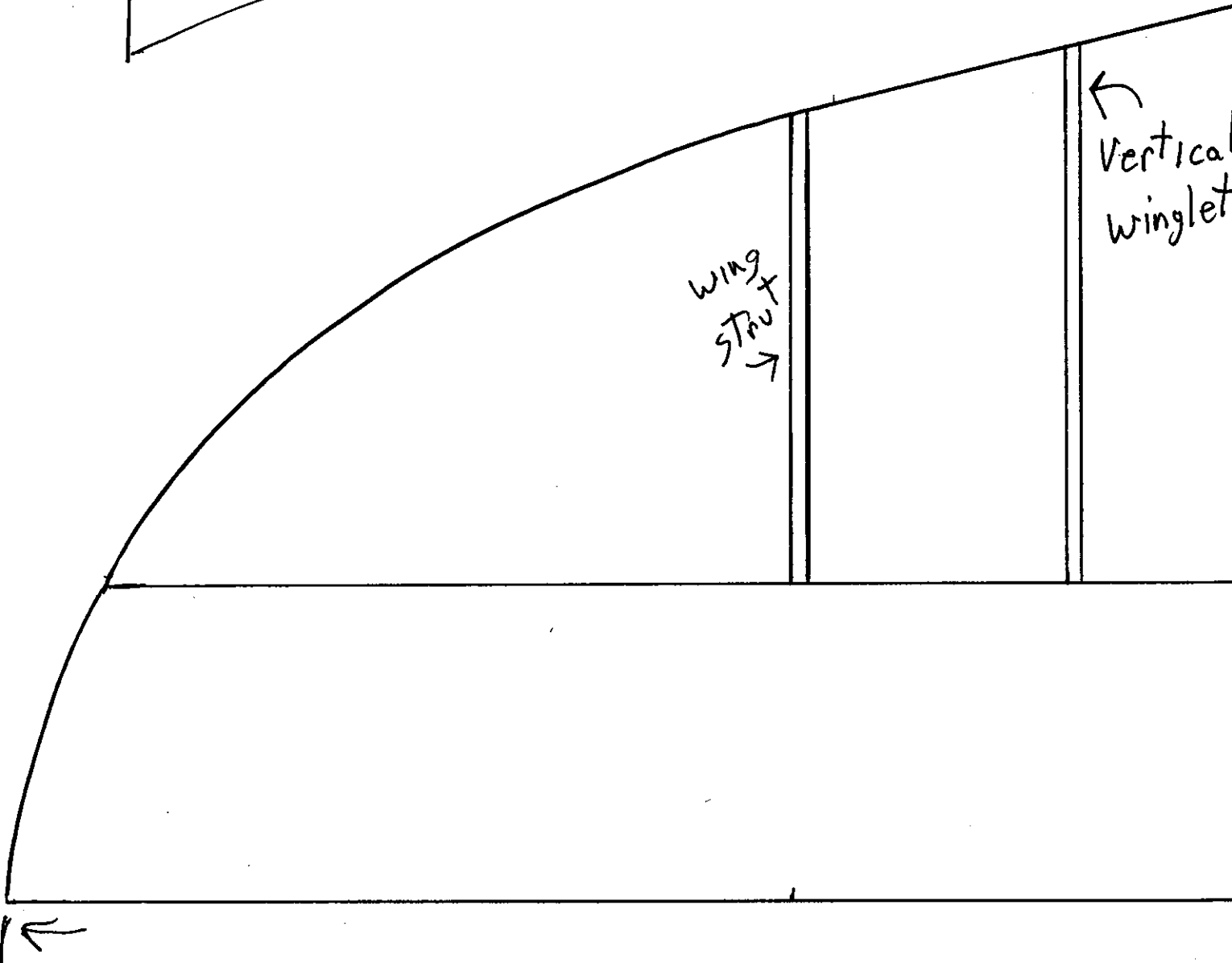
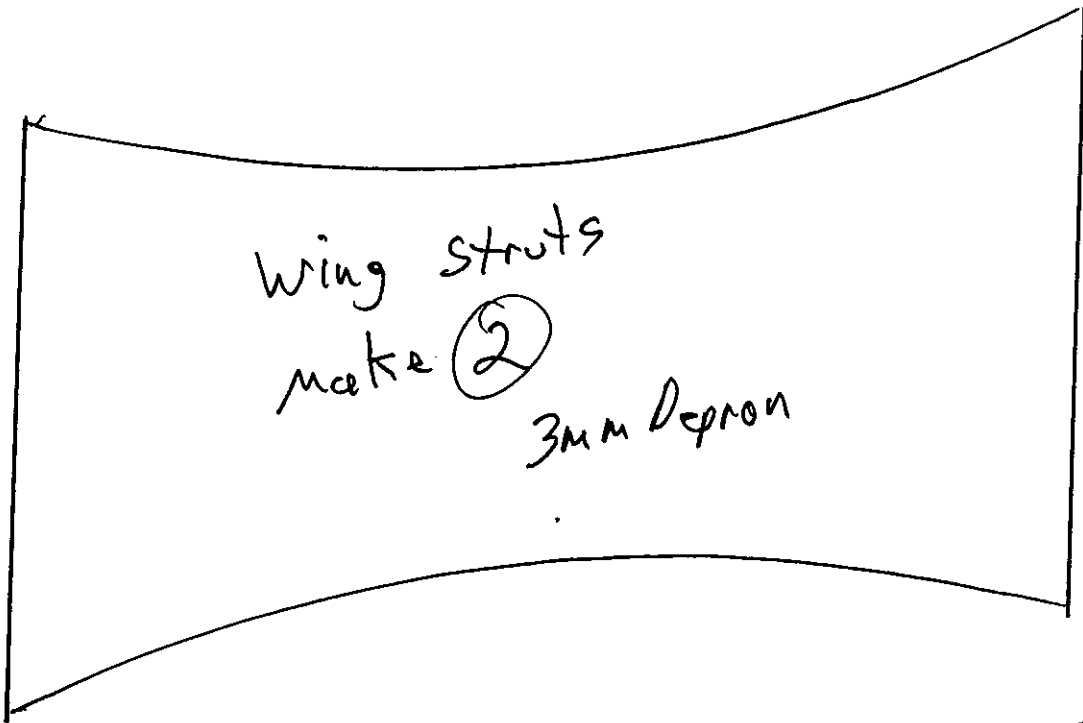
3mm Depron Fuselage

at 45° angle and glue at 45% to fuse and horizontal piece. 

4



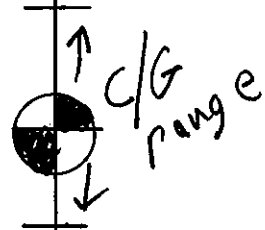
5



6

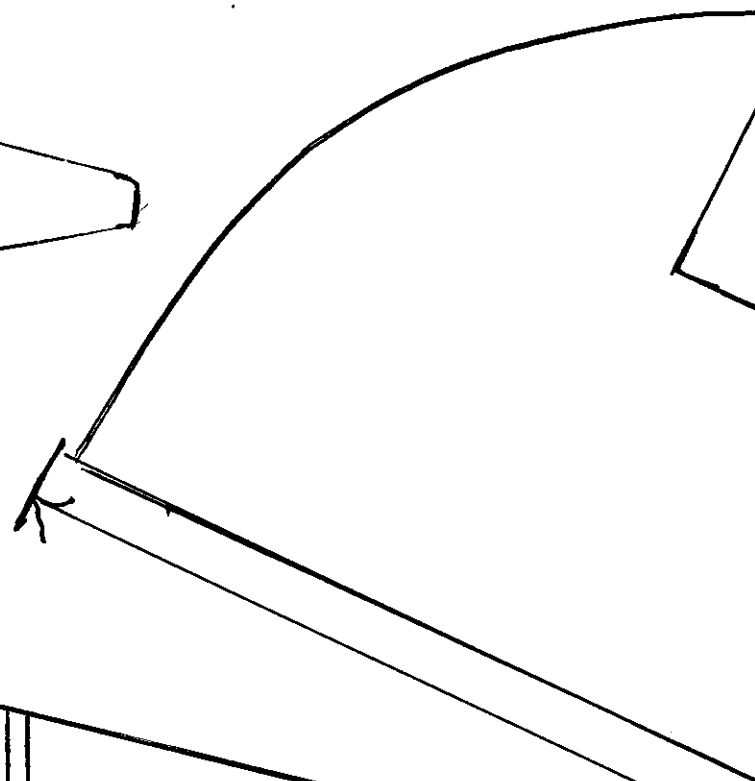
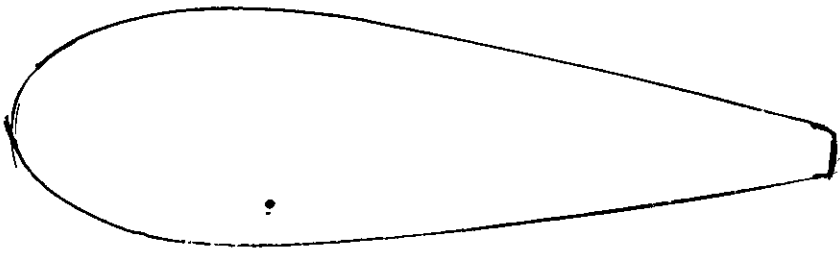
Vertical winglets
Make 4 3mm →

For carbon wing bracing
use 5mm or 6mm. See
photos on thread.



C/L

7



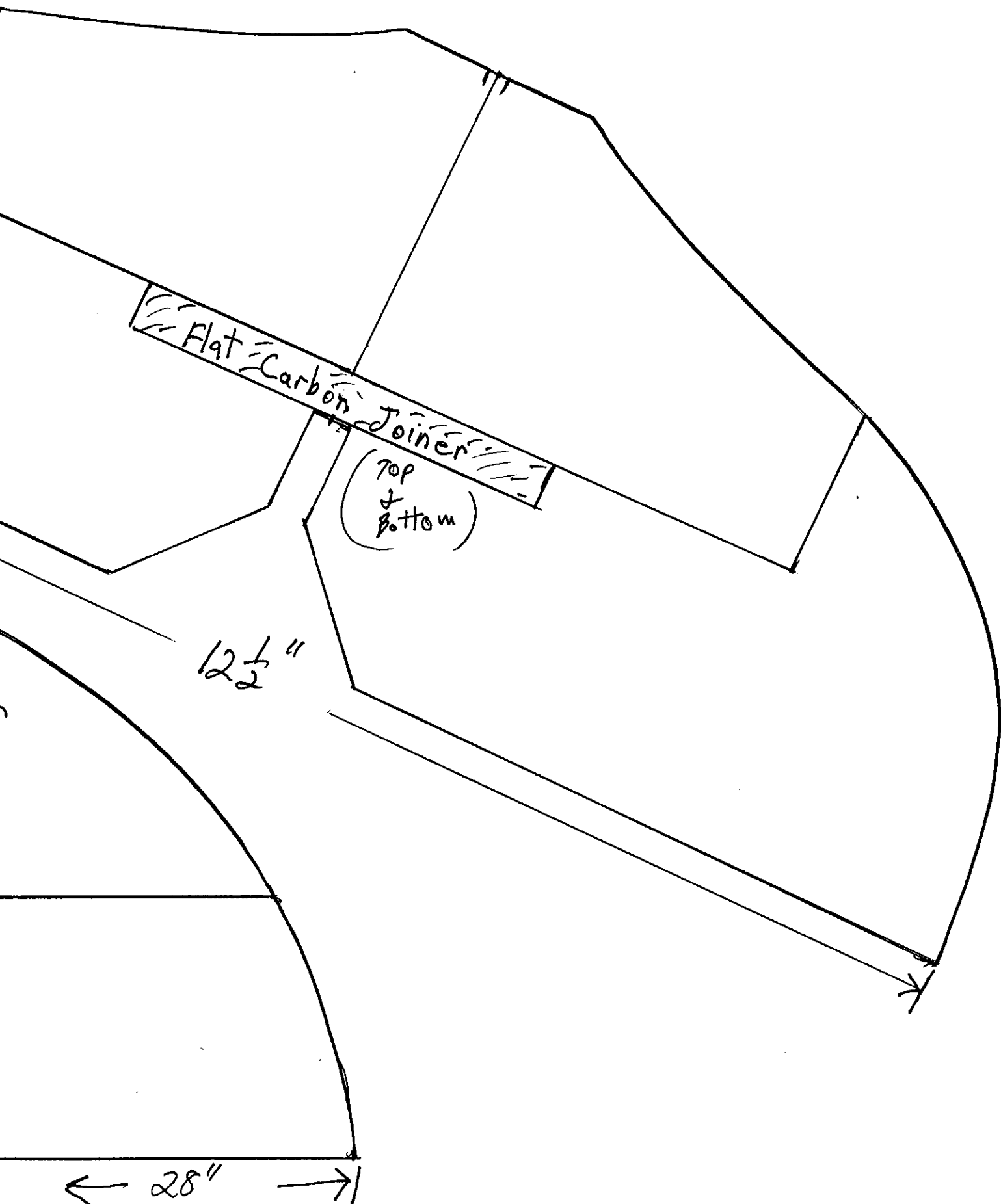
3mm Depron

Wing (make 2!)
(Duh)
← 28" span →

←
Vertical
winglet
position
Top of
Top wing.
Bottom of
Bottom wing.

←
Wing strut
position.
TOP and both
wing

8



Flat Carbon Joiner

(TOP
&
BOTTOM)

$12\frac{1}{2}$ "

← 28" →